



CROSS DEVICES

SPECIALTY PRODUCTS MANUFACTURING
3848 SHOPE RD, GAINESVILLE, GA 30506

TEL: 631-298-4517
FAX: 770-536-5002

Visit us at : www.crossdevices.com

DIELECTRIC WATERPROOFING FILLER : ORDERING INFORMATION



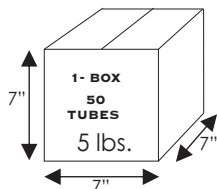
STUF: SILICA, TEFLON, UNIONIZING, FILLER
" PREVENTS MOISTURE INFILTRATION BY OCCUPATION "

Now with more acid and corrosion inhibitors.

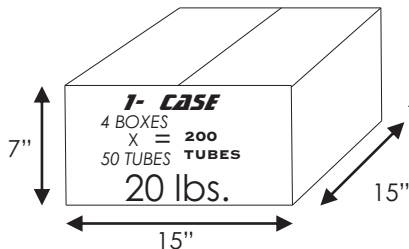
PACKAGING: 3.2. Cu. In. ,FLIP TOP TUBE
NET : 100 f. STYLE CONNECTORS FILLED PER TUBE
SOLD IN BOX QUANTITIES ONLY
50 TUBES PER BOX

STOCKED BOXED FORMS:

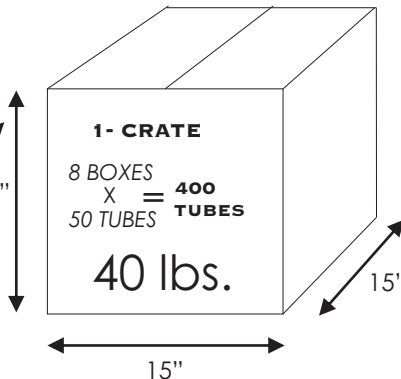
STD. BOX
50 TUBES



4 BOX CASE
200 TUBES



8 BOX CRATE
400 TUBES



ALL ORDERS SHIPPED U.S. GROUND
UNLESS OTHERWISE REQUESTED.

PRICING IN U.S. DOLLARS
Upon Request

TERMS

Net 30 Days Due, 5% Discount on 15 Day Payment
Invoice mailed seperatly to billing address.

Suggested Retail Pricing

Current retail market pricing : +/- \$5.00-\$6.00 on single units.